

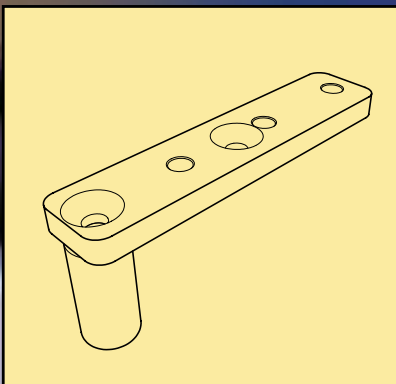
# BASE PLATE FIXATION DEVICES



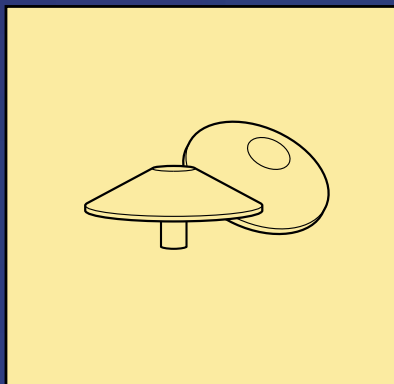
Art. No. 32001 - Loxon™ Set for HP System (*High Precision*)  
Suitable only for the HP System and for Table Tops with Loxon™ slots.



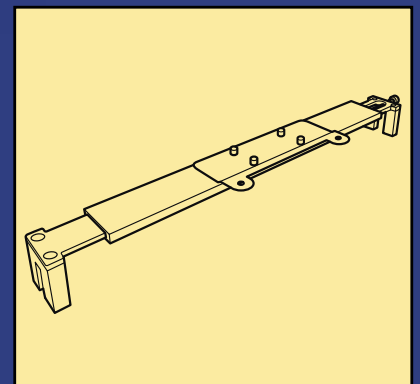
Art. No. 32002 - Loxon™ Set for Pelvicast™ System  
Suitable only for the Pelvicast™ Base Plates and for Table Tops with Loxon™ slots.



Art. No. 32160  
Table Fix for Pelvicast™  
System HPL Base Plate.  
Set of 4 pcs.  
Material: light weight  
aluminium.



Art. No. 35781-N1/6  
Pair of marking knobs for  
indexing a vacuum or other  
mattress on a base plate.  
Material: POM.



Art. No. 35745  
Table Fix for all other couch  
types.  
Material: light weight  
aluminium.